



Scan for full manual

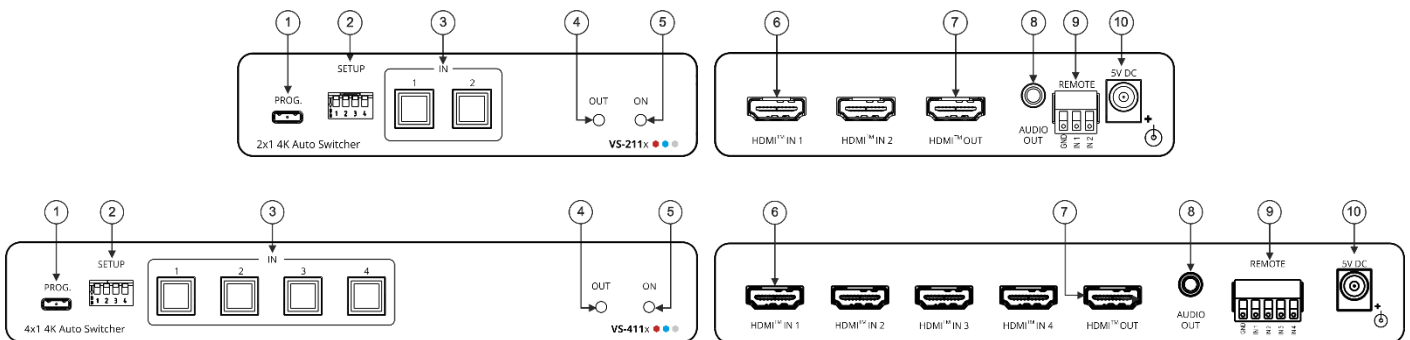
## VS-211X and VS-411X Quick Start Guide

This guide helps you install and use your VS-211X / VS-411X for the first time.

### Step 1: Check what's in the box

- ✓ VS-211X / VS-411X 4K Auto Switcher
- ✓ 1 Power adapter and cord
- ✓ 4 Rubber feet
- ✓ 1 Quick start guide

### Step 2: Get to know your VS-211X / VS-411X



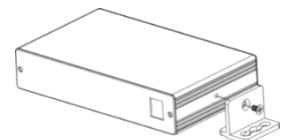
The terms HDMI, HDMI High-Definition Multimedia Interface, and the HDMI Logo are trademarks or registered trademarks of HDMI Licensing Administrator, Inc.

#	Feature	Function
1	PROG Micro USB Connector	Connect to upgrade the firmware.
2	SETUP 4-way DIP-Switches	Set the operation DIP-switches (see <a href="#">Setting the DIP-Switches</a> ).
3	IN Buttons	Press to select an HDMI input (button lights orange).
4	OUT LED	Lights green when an HDMI output is connected.
5	ON LED	Lights green when the device receives power.
6	HDMI™ IN Connectors	Connect to an HDMI source (2 for VS-211X, 4 for VS-411X).
7	HDMI™ OUT Connector	Connect to an HDMI acceptor.
8	AUDIO OUT 3.5mm Mini Jack Connector	Connect to an unbalanced stereo audio acceptor.
9	REMOTE IN Terminal block Connector	Connect to contact closure switches by momentary contact between the desired pin and common GND pin to select an input.
10	5V DC Power Connector	Connect to the power supply and to the mains electricity.

### Step 3: Install VS-211X / VS-411X

Install VS-211X / VS-411X using one of the following methods:

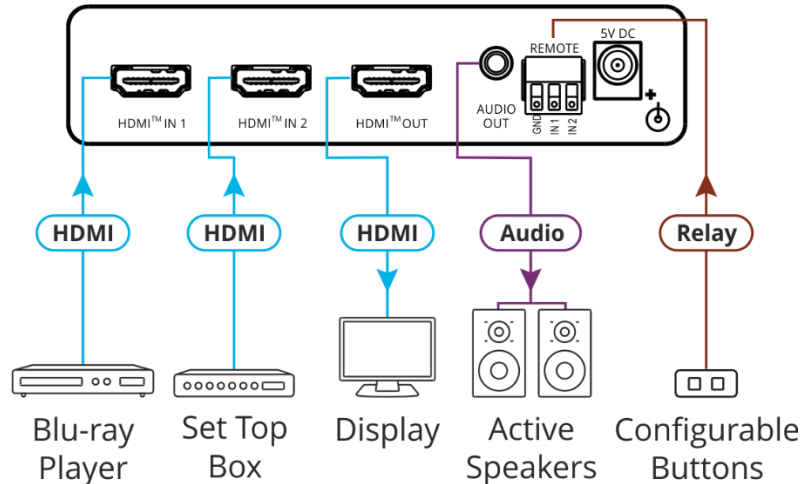
- Attach the rubber feet and place the unit on a flat surface.
- Fasten a bracket (included) on each side of the unit and attach it to a flat surface
- Mount the unit in a rack using the recommended rack adapter



- Ensure that the environment (e.g., maximum ambient temperature & air flow) is compatible for the device.
- Avoid uneven mechanical loading.
- Appropriate consideration of equipment nameplate ratings should be used for avoiding overloading of the circuits.
- Reliable earthing of rack-mounted equipment should be maintained.
- Maximum mounting height for the device is 2 meters.

## Step 4: Connect the inputs and outputs

Always switch OFF the power on each device before connecting it to your VS-211X. For best results, we recommend that you always use Kramer high-performance cables to connect AV equipment to the VS-211X. VS-211X and VS-411X are identical except for the number of inputs.



### Setting the DIP-Switches

DIP-switches 1, 2 and 3 are set to ON (down) by default and DIP-switch 4 is always set to OFF (up). DIP-switch changes take effect immediately.

#	Feature	Dip-Switch Settings
1	Switching Mode	OFF (up) – Manual mode. ON (down) – Auto-switching mode.
2	Auto-switching Mode	OFF (up) – Priority switching mode: the device switches the source with the highest priority to the output. ON (down) – Last connected switching mode: the last detected active source is auto-switched to the output.
3	EDID lock	Off (up) – EDID Locked. On (down) – EDID parameters are passed-through.
4	Reserved for Factory Use	It is mandatory to keep set to OFF (up).

SETUP



## Step 5: Connect the power

Connect the power cord to VS-211X / VS-411X and plug it into the mains electricity.

Safety Instructions

#### Caution:

- For products with relay terminals and GPIO ports, please refer to the permitted rating for an external connection, located next to the terminal or in the User Manual.
- There are no operator serviceable parts inside the unit.

#### Warning:

- Use only the power cord that is supplied with the unit.
- Disconnect the power and unplug the unit from the wall before installing.

