

# PRO4

## 4-Series™ Control System

The Crestron® PRO4 is a secure, high-performance control processor with a powerful 4-Series™ control engine. The PRO4 is designed to integrate and automate technology within any modern networked home, commercial building, or government facility. Isolated Control Subnet ports provide a Gigabit Ethernet LAN dedicated to Crestron devices.



### In the Box

- 1 PRO4, 4-Series™ Control System

#### Additional Items

- 2 Bracket, Rack Ear (2032678)
- 4 Foot, Rubber (2002389)
- 4 Connector, 3-Pin (2003575)
- 1 Connector, 4-Pin (2003576)
- 2 Connector, 5-Pin (2003577)
- 4 Connector, 8-Pin (2003580)
- 1 Connector, 9-Pin (2003581)
- 1 Power Cord, 6 ft, 7 in. (2.01 m) (2001134)



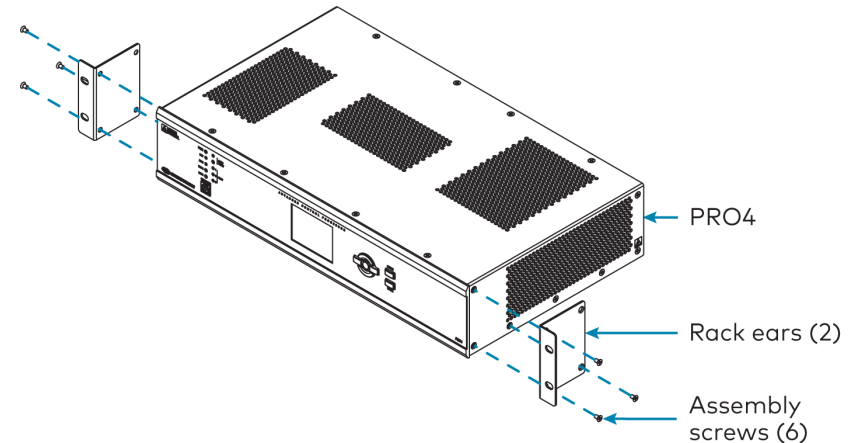
### Install the Control System

The control system may be mounted into a rack or placed onto a flat surface.

### Rack Mounting

The control system occupies 2U of rack space.

1. Use a #1 Phillips screwdriver to remove the six assembly screws shown in the illustration below from the control system assembly.
2. Attach the two included rack ears with the removed assembly screws.
3. Mount the control system into the rack with four mounting screws (not included).



### Surface Placement

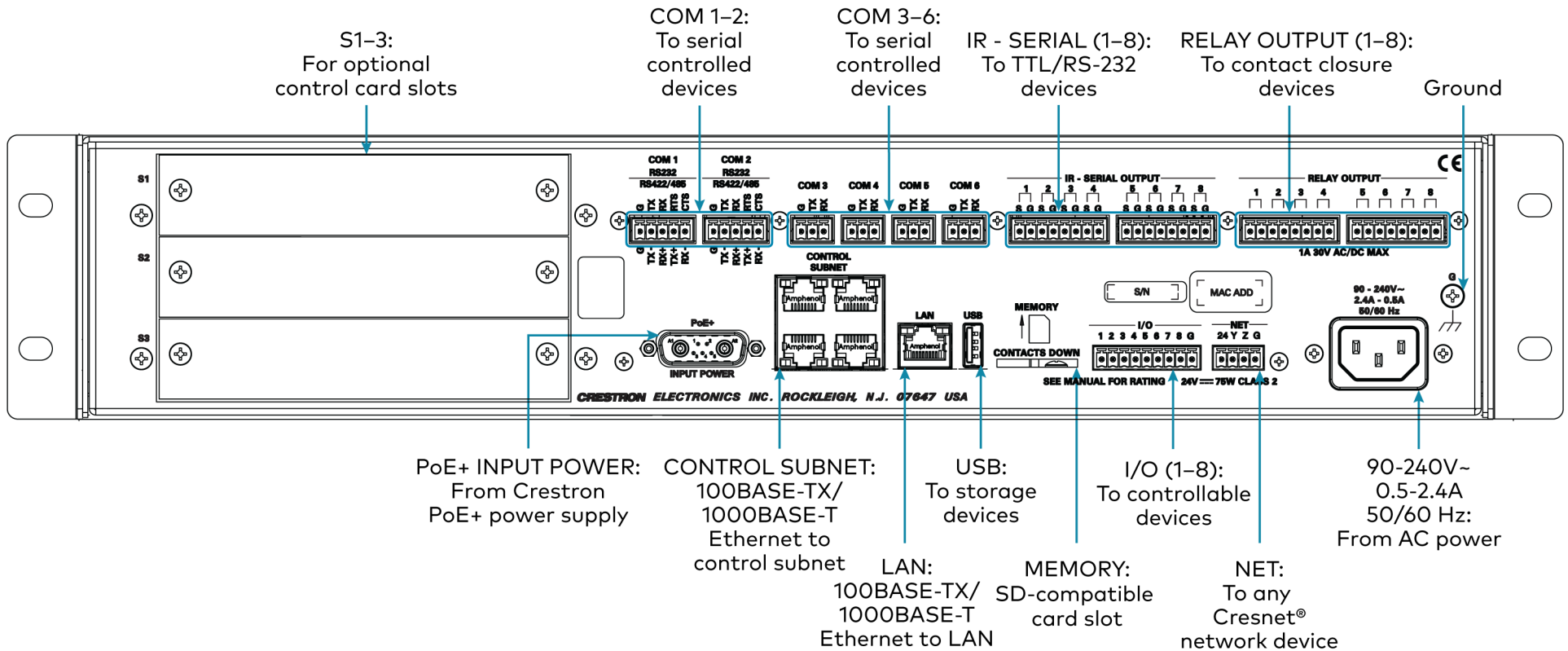
1. Attach the four adhesive rubber feet near the corners on the underside of the control system.
2. Place onto a flat surface or stack with other equipment.

4-Series™ Control System



Connect the Control System

Make all necessary connections to the control system as shown below.



## 4-Series™ Control System

Observe the following when connecting the control system:

- Use Crestron power supplies for Crestron equipment.
- The **CONTROL SUBNET** ports are PoE+ PSE ports. Enabling PoE+ power sourcing requires connection of the **PoE+ INPUT POWER** port to an external Crestron power supply ([PW-5430DUS](#), sold separately). Wiring that connects to a PoE+ PSE is designed for intrabuilding use only.
- If PoE+ will be used, the PoE+ power supply must be connected to the control system before it is powered on.
- The **S1**, **S2**, and **S3** slots are designed to house [Crestron control cards](#).
- Connect the chassis ground lug to a known earth ground circuit (such as building steel) to ensure that the control system is grounded properly.
- Apply power after all connections have been made.

### COM 1–2 Connections

Port	RS-232	RS-422 <sup>1</sup>	RS-485
G	GND	GND	GND <sup>2</sup>
TX	TX (from PRO4)	TX- (from PRO4)	TX-/RX-
RX	RX (to PRO4)	RX+ (to PRO4)	Not used
RTS	RTS (from PRO4)	TX+ (from PRO4)	TX+/RX+
CTS	CTS (to PRO4)	RX- (to PRO4)	Not used

1. RS-422 transmit and receive are balanced signals that require two lines plus a ground in each direction. RXD+ and TXD+ should idle high (going low at start of data transmission). RXD- and TXD- should idle low (going high at start of data transmission). If necessary, RXD+/RXD- and TXD+/TXD- may be swapped to maintain correct signal levels.
2. A ground terminal connection is recommended but not required.



## Connect the Control Subnet

The PRO4 has a dedicated Control Subnet that is used for communication between the control system and Crestron Ethernet devices without interference from other traffic on the network.

**CAUTION:** Do not connect the **CONTROL SUBNET** ports to the LAN. The **CONTROL SUBNET** ports must only be connected to Crestron Ethernet devices.

For more information on using the Control Subnet, refer to the [4-Series™ Control System Reference Guide](#).



## Configure the Control System

The control system may be configured using the provided web configuration interface. The interface can be accessed using the control system IP address or the XiO Cloud® service. The control system may also be configured via the front panel navigation pad and LCD display.

### Configuration via IP Address

To access the web configuration interface using the control system IP address:

**NOTE:** The control system ships with DHCP enabled. A DHCP server is required to access the web configuration interface via the control system IP address.

1. Connect the control system to the network.
2. Use the Device Discovery tool in Crestron Toolbox™ software to discover the control system and its IP address on the network.
3. Enter the control system IP address into a web browser.

## 4-Series™ Control System

### Configuration via XiO Cloud

The [XiO Cloud® service](#) allows supported devices across an enterprise to be managed and configured from one central and secure location in the cloud. Supported Crestron® devices are configured to connect to the service out of the box.

Use of the service requires a registered XiO Cloud account. To register for an XiO Cloud account, refer to [www.crestron.com/Support/Tools/Licensing-Registration/XiO-Cloud-Registration-Room-Licenses](http://www.crestron.com/Support/Tools/Licensing-Registration/XiO-Cloud-Registration-Room-Licenses).

**NOTE:** The device may be disconnected from the XiO Cloud service by navigating to the **Cloud Services** tab in Crestron Toolbox™ software (**Functions > Device Info > Cloud Services**). For details, refer to the Crestron Toolbox help file.

To connect the device to the XiO Cloud service:

1. Record the MAC address and serial number that are labeled on the shipping box or the device. The MAC address and serial number are required to add the device to the XiO Cloud service.

**NOTE:** If the device has multiple MAC addresses, use the MAC address that is providing the primary connection back to the network. For most devices, the Ethernet MAC address should be used. However, if your device is connecting to the network over a different protocol (such as Wi-Fi® communications), use the MAC address for that protocol instead.

2. Log in to your XiO Cloud account at [portal.crestron.io](http://portal.crestron.io).
3. Claim the device to the XiO Cloud service as described in the [XiO Cloud User Guide](#).

Select the device from the cloud interface to view its status and settings. The device may now also be managed and assigned to a group or room. For more information, refer to the [XiO Cloud User Guide](#).

**NOTE:** For XiO Cloud accounts with room-based licenses, the device must be added to a licensed room before its status and settings can be viewed.

### Configuration via the Front Panel

Use the front panel navigation pad and LCD display to configure and monitor the PRO4.



### Create an Admin Account

The first time the web configuration interface is accessed, a page is displayed asking the user to create an admin account. A similar message is displayed when connecting to the control system in Crestron Toolbox software if an admin account has not already been created.

To create an admin account:

1. Enter a username and password for the admin account in the appropriate text fields.

**CAUTION:** Do not lose the username and password for the admin account, as the control system must be reset to factory settings to regain access.

2. Click **OK** to create the admin account. The web configuration interface refreshes to show the standard login page.
3. Reenter the credentials created in step 1 and click **Sign In**.

**NOTE:** The username and password must also be entered when connecting from Crestron Toolbox or XPanel.

## 4-Series™ Control System



## Set the Time Zone

The time zone must be set on the control system to ensure that the correct time settings are pushed to controlled devices.

To set the time zone:

1. Access the web configuration interface using either the device IP address or the XiO Cloud service.
2. Navigate to **Settings > System Setup**.
3. Select the time zone where the control system is used from the **Time Zone** drop-down menu.
4. Click **Save Changes** on the top right of the screen.



## Pair with Apple HomeKit

The control system can be paired with Apple® HomeKit® technology to enable communication between the control system and Apple HomeKit devices and accessories.

For pairing instructions and to locate the unique QR code required for pairing, refer to the PRO4 Product Information document (Doc. 8540) that shipped with your control system.

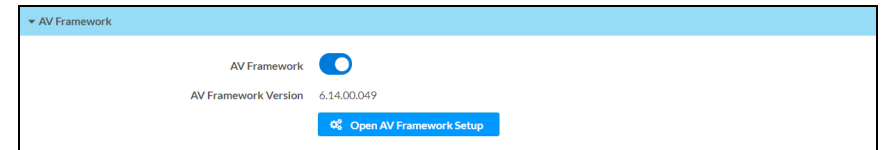


## Turn on .AV Framework Software

The control system provides native support for the .AV Framework™ software program. .AV Framework software is a web-based management solution that is used to deploy scalable Crestron® enterprise room solutions without requiring any programming. For more information on the capabilities supported by .AV Framework, visit [www.crestron.com/avframework](http://www.crestron.com/avframework).

To turn on the .AV Framework software program for the control system:

1. Open the web configuration interface for the control system.
2. Navigate to **Settings > AV Framework**.



3. Turn on the **AV Framework** toggle.
4. Save the configuration. The control system will reboot with the native .AV Framework software program turned on.

After the control system reboots, click **Open AV Framework Setup** to launch the .AV Framework web configuration utility. For more information on configuring .AV Framework for the control system, refer to the [.AV Framework Software for 4-Series Control Systems Operations Guide](#).

## 4-Series™ Control System



## Visit the Product Page

Scan the QR code to visit the product page.

PRO4



[www.crestron.com/model/6512050](http://www.crestron.com/model/6512050)

## Additional Information

**Original Instructions**

The U.S. English version of this document is the original instructions. All other languages are a translation of the original instructions.

**Regulatory Model:** M201921001

Crestron product development software is licensed to Crestron dealers and Crestron Service Providers (CSPs) under a limited nonexclusive, nontransferable Software Development Tools License Agreement. Crestron product operating system software is licensed to Crestron dealers, CSPs, and end-users under a separate End-User License Agreement. Both of these Agreements can be found on the Crestron website at [www.crestron.com/legal/software\\_license\\_agreement](http://www.crestron.com/legal/software_license_agreement).

The product warranty can be found at [www.crestron.com/warranty](http://www.crestron.com/warranty).

The specific patents that cover Crestron products are listed at [www.crestron.com/legal/patents](http://www.crestron.com/legal/patents).

Certain Crestron products contain open source software. For specific information, visit [www.crestron.com/opensource](http://www.crestron.com/opensource).

Crestron, the Crestron logo, 3-Series, 4-Series, .AV Framework, Cresnet, Crestron Toolbox, and XiO Cloud are either trademarks or registered trademarks of Crestron Electronics, Inc. in the United States and/or other countries. Apple and HomeKit are either trademarks or registered trademarks of Apple, Inc. in the United States and/or other countries. Other trademarks, registered trademarks, and trade names may be used in this document to refer to either the entities claiming the marks and names or their products. Crestron disclaims any proprietary interest in the marks and names of others. Crestron is not responsible for errors in typography or photography.

©2021 Crestron Electronics, Inc.

Doc. 8515B

12/22/21